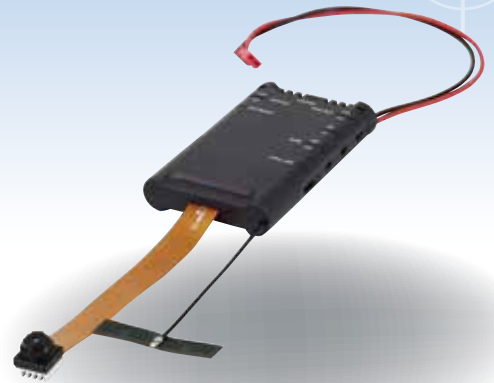


PV-DY20i

Full HD DIY Hidden Camera Portable Wi-Fi & IP DVR Module



Feature

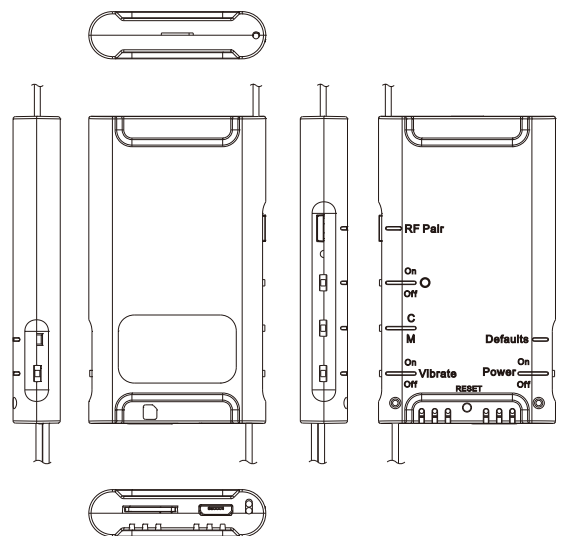
- 3MP, 1/3" progressive CMOS sensor
- 1080p / 720p / WVGA three resolution options
- IP feature for you to stream live view & audio anywhere
- Make your own hidden camera with this tiny DVR
- Install the extended hidden camera in any way you like
- View, operate, take picture and playback on the free APP - PV Cam Viewer
- Compatible with LawMate RF remote control
- Long recording time up to 300 mins with 16G card
- Powered from battery , handy to carry

Specification

Built-in Camera Module	
Built-in Image Sensor	1/3" progressive CMOS sensor
Sensor Resolution	2304x1536
Sensor Sensitivity	3.3 Lux @ F 2.0
Lens F/No.	F 3.2
Focal Length	4mm
Angle of View	66°
Video Spec.	
Algorithm	H.264, JPEG
File Format	MOV, JPG
Video Recording Mode	Auto / Manual / Motion Detection
Recording Capability	1920x1080, 1280x720, 848x480
Frame Rate	Up to 30 fps
Photo Capability (APP)	2M (1920x1080)
Wi-Fi Spec.	
Wi-Fi	Built-in Wi-Fi Module (IEEE 802.11b/g/n)
Wi-Fi Protocol	RTSP
Storage & I/O	
Memory Type	Memory Card (Support up to 32GB)
Data Interface	Mini USB 2.0
Misc.	
Date / Time Table	YYYY/MM/DD, HH:MM:SS
Snapshot	Recording and playback video (via smartphone)
Power	
Power Input	DC 5V
Power Consumption	450mA-500mA (Wi-Fi OFF) (Wi-Fi ON + 60mA)
Standby Consumption	8-8.5mA
Charging Time	240 min (800mA)
Battery Input	DC 3.7V / 2200 mA Lithium battery
Battery Lifetime	180min (1080P / Wi-Fi ON)
	210min (1080P / Wi-Fi OFF)
	195min (720P / Wi-Fi ON)
	225min (720P / Wi-Fi OFF)
	210min (WVGA / Wi-Fi ON)
	240min (WVGA / Wi-Fi OFF)
Recording Time	300min @ 1920x1080 resolution (16GB memory card)
Physical	
Vibration Alert	Power on/off, Recording, Low battery
Dimension	68x38x10mm
Cable Length(with lens)	10cm ± 1cm

*Specifications are subject to change without prior notice.

Product Sketch

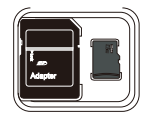


Standard Accessories

S-USB/PV-500



USB Cable



Memory Card



PI-RF50

CE/FCC Certified