

PV-DY10i

Full HD DIY Hidden Camera Portable Wi-Fi & IP DVR Module

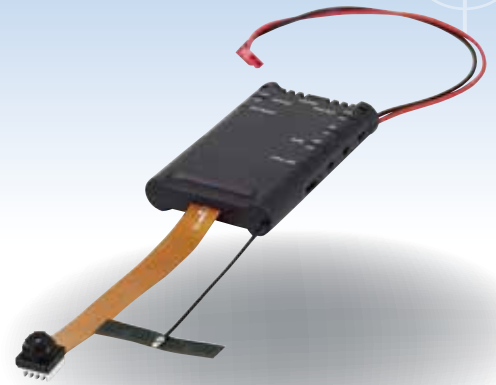
Feature

- 3MP, 1/3" progressive CMOS sensor
- 1080p / 720p / WVGA three resolution options
- IP feature for you to stream live view & audio anywhere
- Make your own hidden camera with this tiny DVR
- Install the extended hidden camera in any way you like
- View, operate, take picture and playback on the free APP - PV Cam Viewer
- Compatible with LawMate RF remote control
- Long recording time up to 300 mins with 16G card
- Powered from battery , handy to carry

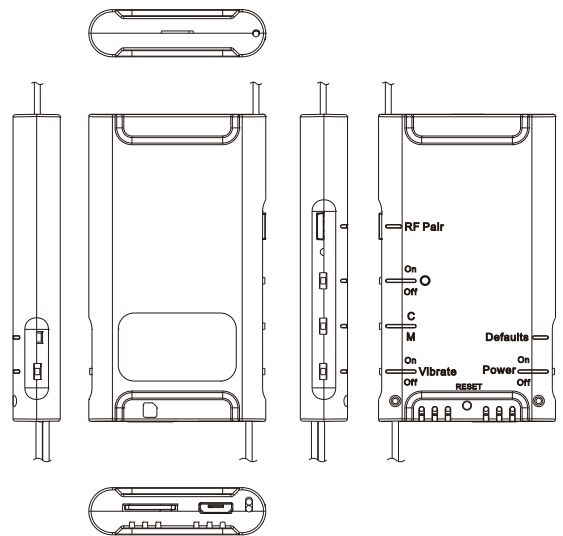
Specification

Built-in Camera Module	
Built-in image sensor	1/3" progressive CMOS sensor
Sensor resolution	2304x1536
Sensor sensitivity	3.3 Lux @ F 2.0
Lens F/No.	F 3.2
Focal Length	4mm
Angle of View	66°
Video Spec.	
Algorithm	H.264, JPEG
File Format	MOV, JPG
Video recording mode	Auto/Manual/Motion Detection
Recording Capability	1920x1080, 1280x720, 848x480
Frame rate	Up to 30 fps
Photo Capability (APP)	2M(1920*1080)
WiFi Spec.	
WiFi	Built-in WiFi Module(IEEE 802.11b/g/n)
Wifi Protocol	RTSP
Storage & I/O	
Memory type	Micro SD Card (Support SDHC max=32GB)
Data interface	Mini USB 2.0
Misc.	
Date/Time Table	YYYY/MM/DD, HH:MM:SS
Power	
Power Input	DC 5V
Power Consumption	450mA-500mA (WIFI OFF)(WIFI ON+60mA)
Standby Consumption	8-8.5mA
Charging Time	240 min(800mA)
Battery Input	DC 3.7V / 2200 mA Lithium battery
Battery Lifetime	180min(1080P / WIFI ON)
	210min(1080P / WIFI OFF)
	195min(720P / WIFI ON)
	225min(720P / WIFI OFF)
	210min(WVGA / WIFI ON)
	240min(WVGA / WIFI OFF)
Recording time	300min @ 1920x1080 resolution (16GB SD card)
Physical	
Vibration Alert	Power on/off, Recording, Low battery

*Specifications are subject to change without prior notice.



Product Sketch

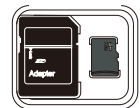


Standard Accessories

S-USB/PV-500



USB Cable



SD Card

Optional Accessories



PI-RF50