

PV-AC30

Power Adaptor DVR

With Built-in VGA CMOS Camera



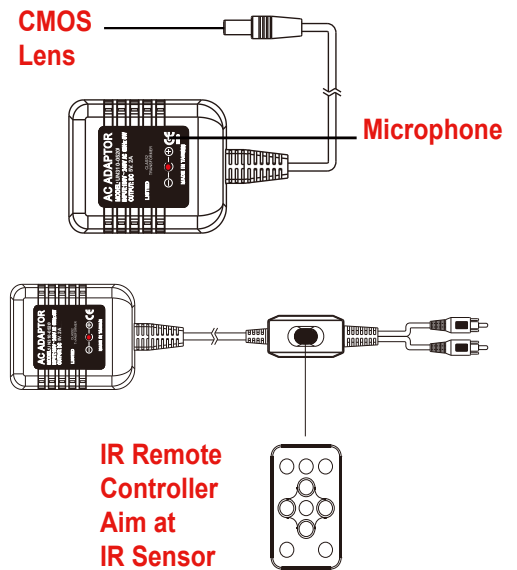
- * DVR built in power adaptor
- * Camera built in power cord jack
- * UI interface to adjust DVR setting
- * Default motion detection recording functionality
- * Direction adjustor to constantly fix camera direction
- * Flexible camera body to avoid direction restriction
- * Power supplied from adaptor prongs
- * Supports up to 16GB SDHC card

Specification

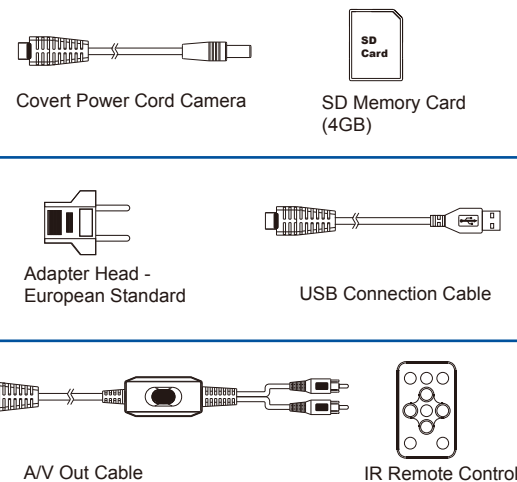
Item Number	PV-AC30(NTSC or PAL)
Video System	NTSC/PAL
Sensor	CMOS 1/18"
Pixel	640X480
Resolution	480TV line
MIN Illumination	4V(Lux*sec)
Storage Capacity	SD card supports up to 16GB
Time Stamp	YYYY.MM.DD. HH:MM:SS
File Format	MPEG-4, AVI
Frame Rate	30FPS
Recording Mode	Motion Detection / Normal (Continuous)
Motion Record Time	1min / 3min / 5min
Motion Sensitivity	High / Medium / Low
Indications	LED
Operation Current	110mA
PC Interface	USB 2.0
Dimension	63x51x43mm
Weight	90g

*Specifications are subject to change without prior notice.

Illustration



Standard Accessories



Optional Accessories

